

AIR CARGO → DIMENSIONS

Optimize Your Air Shipments

Use our Air Container Dimensions guide as a handy reference to understand the specifications of common air freight containers.

Main Deck Pallet

(Equivalent to IATA Type 2)

External Displacement:

606 cf/17.16 cbm

Maximum Gross Weight:

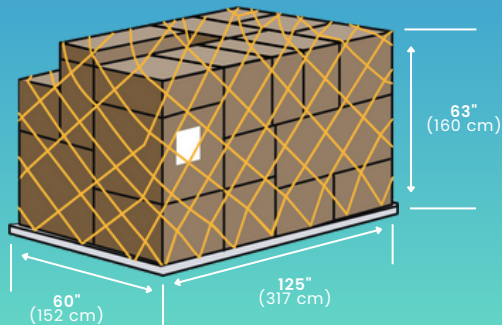
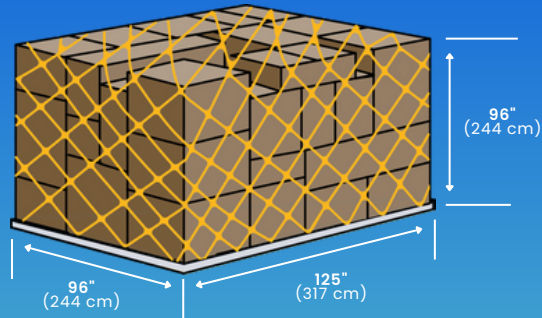
15,000 lb/6,804 kg

Maximum External Dimensions:

(L x W x H) Contoured

125" X 96" X 96"

317 cm x 244 cm x 244 cm



P9A Lower Deck Pallet

(Equivalent to IATA Type 6)

External Displacement:

242 cf/6.9 cbm

Maximum Gross Weight:

7,000 lb/3,176 kg

Maximum External Dimensions:

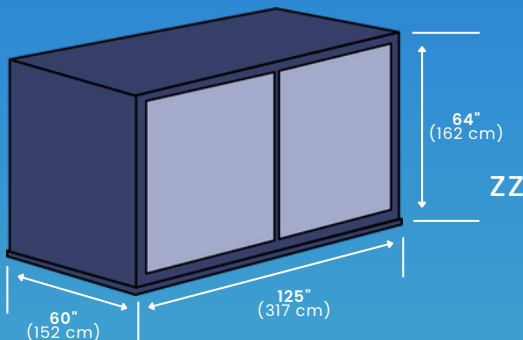
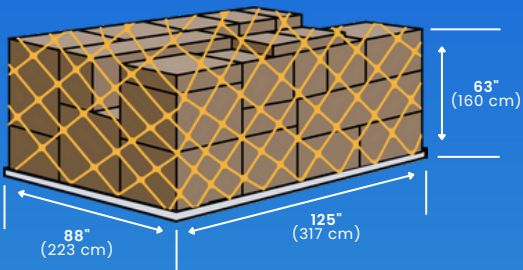
(L X W X H)

125" X 60" X 63"

317 cm x 152 cm x 160 cm

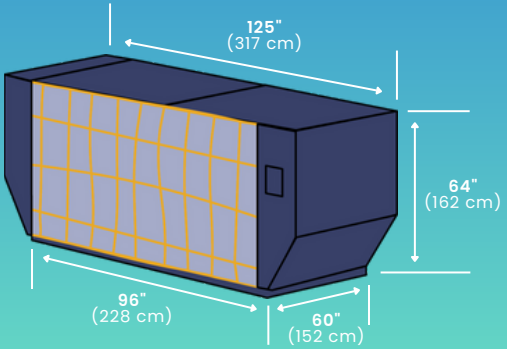
AIR CARGO DIMENSIONS (CONT...)

LD-7
(Equivalent to IATA Type 5)
External Displacement:
379.9 cf/10 cbm
Maximum Gross Weight:
10,200 lb/4,627 kg
Maximum External Dimensions:
(L X W X H)
125" X 88" X 63"
317 cm x 223 cm x 160 cm



LD-11
(Equivalent to IATA Type 6)
Internal Capacity:
242 cf/6.9 cbm
Maximum Gross Weight:
7,000 lb/3,176 kg
Maximum Internal Dimensions:
(L X W x H)
125" X 60" X 64"
317 cm x 162 cm x 162 cm

LD-8
(Equivalent to IATA Type 6A)
Internal Capacity:
243 cf/6.9 cbm
Maximum Gross Weight:
5,400 lb/2,450 kg
External Dimensions:
(L X W x H)
96" X 60" X 64"
228 cm x 152 cm x 162 cm



AIR CARGO DIMENSIONS (CONT...)

LD-4

(Equivalent to IATA Type 7A)

Internal Capacity:

194 cf/5 cbm

Maximum Gross Weight:

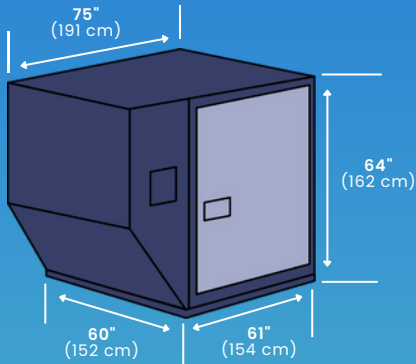
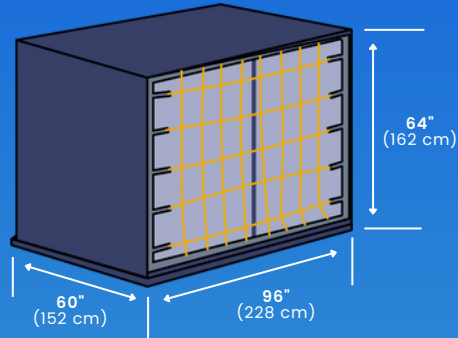
5,400 lb/2,450 kg

External Dimensions:

(L x W x H)

96" X 60" X 64"

228 cm x 152 cm x 162 cm



LD-3

(Equivalent to IATA Type 8)

Internal Capacity:

150 cf/4 cbm

Maximum Gross Weight:

3,500 lb/1,588 kg

External Dimensions:

(L x W x H)

61" X 60" X 64"

154 cm x 152 cm x 162 cm

LD-2

(Equivalent to IATA Type 8D)

Internal Capacity:

120 cf/3 cbm

Maximum Gross Weight:

2,700 lb/1,225 kg

External Dimensions:

(L x W x H)

47" X 60" X 64"

119 cm x 152 cm x 162 cm

